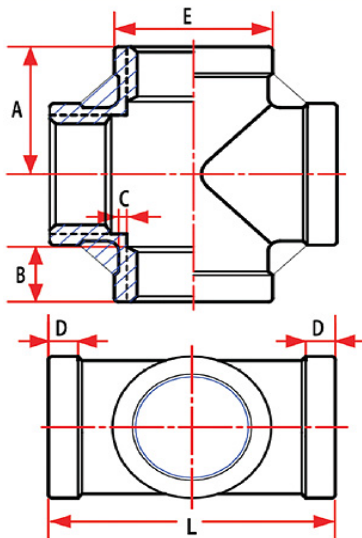


# MSS SP-114 HEAVY PATTERN STAINLESS STEEL PIPE FITTINGS FEMALE CROSSES



304 SS	316 SS	Size	Weight (LBS)	A	B	C	D	E	L
SS304-63601	SS316-63601	1/8"	0.14	0.74	0.27	0.11	0.2	0.72	1.48
SS304-63602	SS316-63602	1/4"	0.15	0.74	0.33	0.124	0.2	0.81	1.48
SS304-63603	SS316-63603	3/8"	0.20	0.85	0.36	0.073	0.2	0.96	1.70
SS304-63604	SS316-63604	1/2"	0.32	1.02	0.42	0.081	0.24	1.15	2.04
SS304-63606	SS316-63606	3/4"	0.50	1.2	0.49	0.098	0.26	1.40	2.40
SS304-63610	SS316-63610	1"	0.77	1.38	0.57	0.109	0.29	1.70	2.76
SS304-63612	SS316-63612	1 1/4"	1.17	1.61	0.65	0.119	0.33	2.05	3.22
SS304-63614	SS316-63614	1 1/2"	1.42	1.77	0.68	0.123	0.36	2.33	3.54
SS304-63620	SS316-63620	2"	2.22	2.08	0.73	0.139	0.4	2.82	4.16
SS304-63624	SS316-63624	2 1/2"	2.87	2.47	0.89	0.173	0.46	3.15	4.94
SS304-63630	SS316-63630	3"	4.23	2.83	0.95	0.189	0.53	3.83	5.66
SS304-63640	SS316-63640	4"	7.46	3.53	1.04	0.236	0.63	4.83	7.06

## MSS SP-114 HEAVY PATTERN STAINLESS STEEL PIPE FITTINGS

Stainless steel MSS-SP114 heavy pattern fittings are investment castings.  
Available in a full range from 1/8" to 4" in both 304 and 316 grades of stainless steel.

All fittings are threaded to NPT standard in compliance to ASME B1.20.

Castings are made in accordance to ASTM 351 and heat treated and tested in accordance to ASTM A262

OEMS AND MANUFACTURERS TRUST BFO TO KEEP YOUR OPERATION FLOWING SMOOTHLY

BUYFITTINGSONLINE.COM | 1.800.569.0810 | BFO@QMCTECHNOLOGIES.COM