


Dk-Lok USA

161 West I-65 Service Road

Mobile, AL 36608

Phone: (251) 472-9580

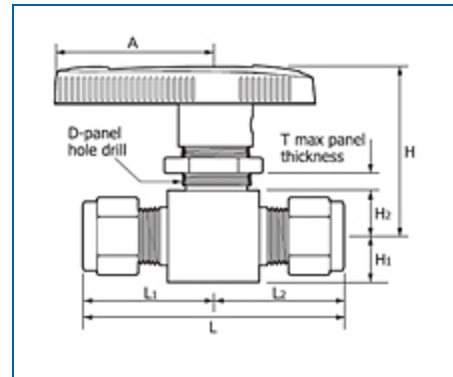
Fax: (251) 450-0962 or (800) 287-8186

info@dklokusa.com

Item # VG82B-D-6T-S, V82 Series Ball Valves

Features

- Sealing is achieved without system pressure
- Bi-directional flow
- Pressure up to 3000 psig (206 bar)
- Lowest dead space design
- **Nylon Directional handle** - indicates the flow through the valve.
- **Panel mounting nut** - is standard and permits valve to panel or actuator.
- **Top-loaded packing** - allows packing adjustment with the valve in-line.
- **Capsule packing** - fills voids in the valve body and prevents fluid entrapment.- allows lowest dead space.
- **Support rings and discs** - retains the capsule packing and

[+ more](#)

[Specifications](#) | [Dimensions](#)

Specifications

Type	2-way On-off Valves
Series	4.8 mm Orifice
End Connection	Dk-Lok
Valve Pattern	Inline
End Connection Size	3/8" Dk-Lok x 3/8" Dk-Lok

Thermal Cycle Performance	Standard Performance
Temperature Range	10 to 65°C (50 to 150°F)
Top Mounting	without Top Mounting
Valve with Lubricant	Lubricant Valve
Handle	Nylon Handle
Body Material	Stainless Steel 316

Dimensions

Orifice	4.8 mm
Cv	1.5
L	65.5 mm
L1	32.8 mm
L2	32.8 mm
H	39.6 mm
H1	9.7 mm
H2	11.2 mm
H3	32.8 mm
A	38.9 mm
T	4.8 mm
D	19.8 mm
W	19.8 mm